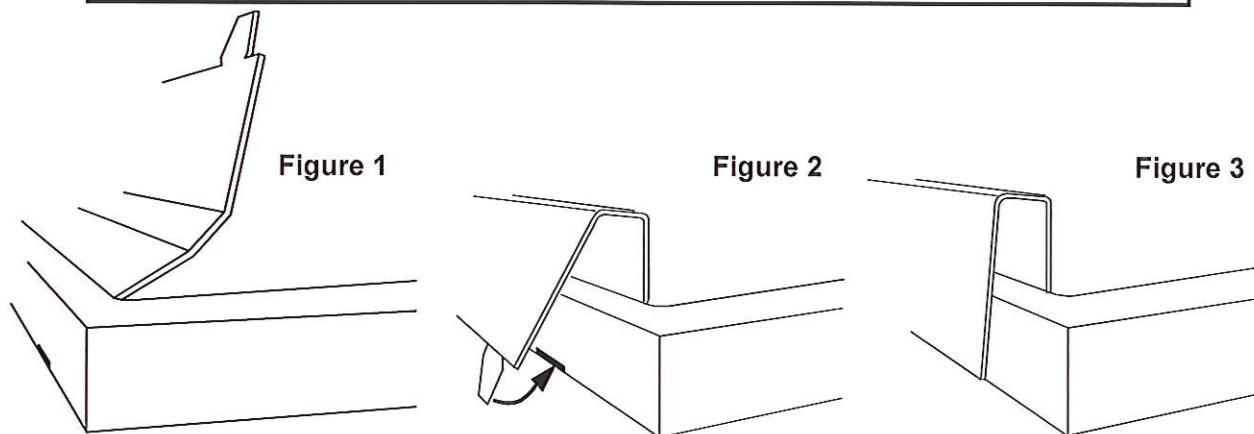


The narrower 1" frame is converted to a 2" frame by folding and fastening the four flaps built into the frame without any tools in very little time. The following directions and figures are found on each flap and outline how the flap is folded back and the tabs are inserted back into the frame.

Directions

1. Lift flap away from frame to break free from tear-off coupons.
2. Fold back flap along perforations, see Figure 1.
3. Insert tabs into slits marked on frame, see Figure 2.
4. Press tabs completely into frame until flap is flush, see Figure 3.



This will be a running change, unit part numbers and replacement part numbers remain the same. ***This change was implemented in July and should be visible in the field over the next few weeks.***

*****Important Reminder—Recommended Maintenance Schedules*****

To ensure performance of the PureAir™ Air Purification System, the filter, UV lamps and PCO metal insert must be changed-out according to recommended maintenance schedules:

PCO-12C / 20C (1st Generation): Filter changed **annually**, UV lamps and PCO metal inserts changed every **two years**. Contact Lennox Parts & Supplies for available Maintenance Kits with inserts (MERV 16: X8345 & X8347; MERV 10: X8348 & X8349).

PCO20-28 / 16-28 / 14-23 (2nd Generation): Filter, UV lamps, and PCO metal insert changed **annually**. Note: UV lamps will not necessarily burn-out after 1 year, but they **will lose effectiveness** (reason why we recommend annual change-out).

Make sure you are NOT ONLY changing the MERV 16 filters, but all scheduled components. With our competitively priced Maintenance Kits (Part #'s X8795, X8796 and X8797) this should be a snap! Make sure you are safeguarding the PureAir performance and capturing the value of this recurring revenue stream!